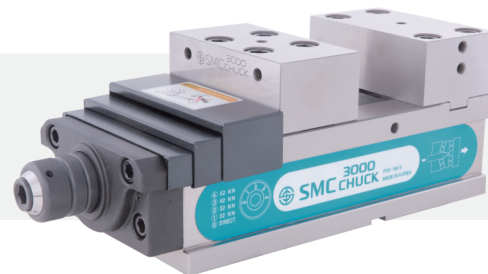


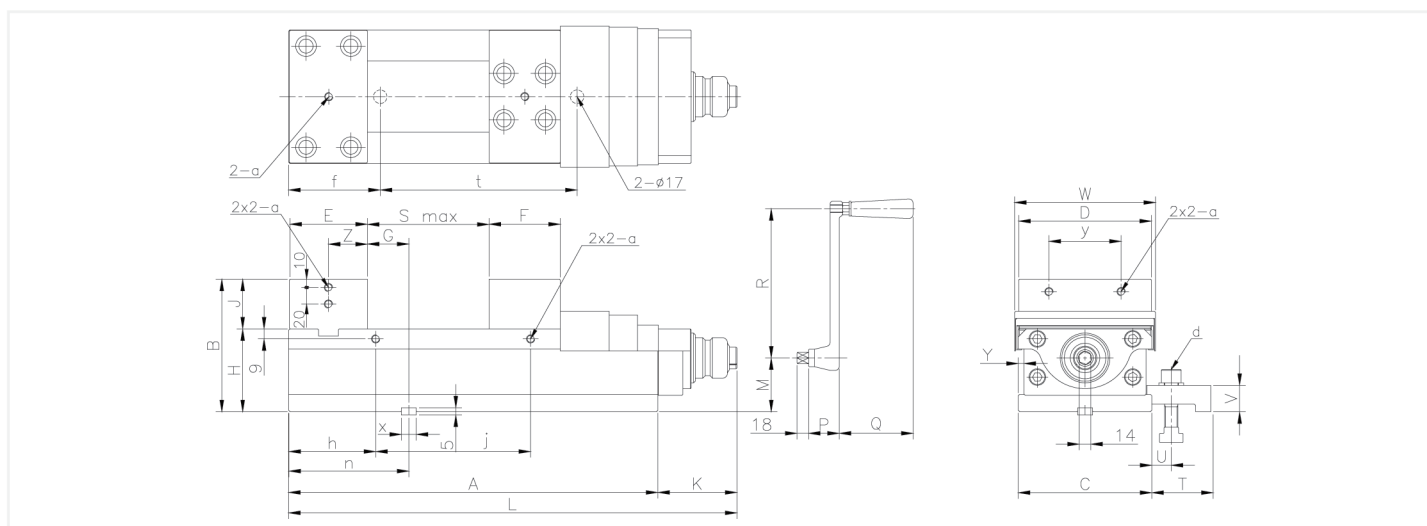
PVS-S

POWER VISE (SHORT-TYPE)

- Short-Type precision power vise with adjustable torque



Outward Drawing



Dimensions

[UNIT : mm]

| Model | A | B | C | D | E | F | G | H | J | K | L | M | N | P | Q | R | S | T | U |
|--------------|-----|-----|-----|-----|----|----|----|-----|----|----|-----|----|----|----|----|-----|-----|----|-------|
| PVS-125S(5") | 295 | 135 | 126 | 125 | 84 | 76 | 60 | 85 | 50 | 99 | 394 | 50 | 21 | 37 | 95 | 180 | 125 | 72 | 15~31 |
| PVS-160S(6") | 350 | 160 | 161 | 160 | 94 | 86 | 50 | 100 | 60 | 99 | 449 | 65 | 21 | 37 | 95 | 180 | 160 | 72 | 15~31 |

| Model | V | W | X | Y | a | b | f | g | h | i | n | r | t | y | Weight(kg) |
|--------------|----|-----|----|---|-----|--------|-----|----|-----|-----|-----|-----|-----|-----|------------|
| PVS-125S(5") | 30 | 135 | 18 | 6 | M10 | M16X65 | 90 | 12 | 95 | 70 | 145 | 354 | 240 | 60 | 41 |
| PVS-160S(6") | 30 | 170 | 18 | 7 | M10 | M16X65 | 100 | 12 | 105 | 140 | 145 | 444 | 265 | 100 | 62 |

Specifications

[UNIT : mm]

| Model | Jaw Width | Jaw Height | Max. Opening | Total Height | Slider Height | Total Width | Total Length | Max. Gripping Force KN(kgf) | Weight (kg) |
|--------------|-----------|------------|--------------|--------------|---------------|-------------|--------------|-----------------------------|-------------|
| PVS-125S(5") | 125 | 50 | 125 | 135 | 85 | 135 | 394 | 35[3571] | 41 |
| PVS-160S(6") | 160 | 60 | 160 | 160 | 100 | 170 | 449 | 60[6122] | 62 |